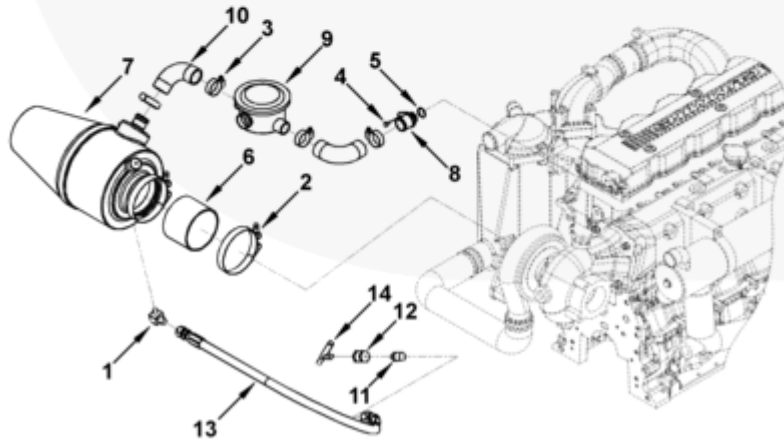
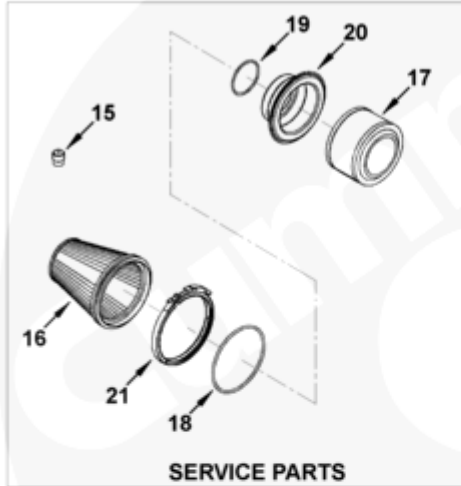




Parts Catalog - Option Detail

Electronic Parts Catalog - Option Detail				
Option	Group	Graphic	Film Card	Date
AC9146-04	10.04	ac900zc	T	10-DEC-04
Engines	4B3.9, 6A3.4, 6B5.9, B GAS INTERNATIONAL CM556, B4.5, B4.5 CM2350 B129B, B4.5 CM2350 B146C, B4.5 CM2350 B147B, B4.5 RGT, B4.5S, B5.9 G, B5.9 GAS PLUS CM556, B5.9 LPG, B5.9 LPG PLUS CM556, B6.7 CM2350 B121B, B6.7 CM2350 B135B, B6.7 CM2350 B136C, B6.7 CM2350 B148B, B6.7 G CMOH6.0 B125, B6.7N CM2380 B150B, B6.7S, F3.8 CM2350 F120B, F3.8 CM2350 F128C, F3.8 CM2350 F132B, F3.8 F102, G3.9, G5.9, G5.9 CM558, ISB (CHRYSLER), ISB CM2150, ISB CM2150 E, ISB CM550, ISB CM850, ISB/ISD4.5 CM2150 B119, ISB/ISD4.5 CM2150 SN, ISB/ISD6.7 CM2150 B120, ISB/ISD6.7 CM2150 SN, ISB/ISD6.7 CM2880 B126, ISB3.9 CM2220 B107, ISB4.5 CM2150, ISB5.9G CM2180, ISB6.7 2010 DCX PICKUP, ISB6.7 2013 DCX CHASSIS CAB, ISB6.7 CM2150 SQ, ISB6.7 CM2250, ISB6.7 CM2350 B101, ISB6.7 CM2350 B103, ISB6.7 CM2350 B142, ISB6.7 CM2670 B153B, ISB6.7 G CM2180 B118, ISBE CM2150, ISBE CM800, ISBE2/ISBE3 CM850, ISBE4 CM850, ISD4.5 CM2150, ISD6.7 CM2880 D101, ISF2.8 CM2220, ISF2.8 CM2220 AN, ISF2.8 CM2220 EC, ISF2.8 CM2220 ECF2, ISF2.8 CM2220 F101, ISF2.8 CM2220 F117, ISF2.8 CM2220 F122, ISF2.8 CM2220 F126, ISF2.8 CM2220 F129, ISF2.8 CM2220 IAN, ISF3.8 CM2220, ISF3.8 CM2220 AN, ISF3.8 CM2220 F103, ISF3.8 CM2220 F110, ISF3.8 CM2220 F116, ISF3.8 CM2220 F134B, ISF3.8 CM2220 IAN, ISF3.8 CM2350 F109, ISF4.5 CM2220 F123, ISG11 CM2880 G106, ISG11 CM2880 G108, ISG12 CM2880 G107, ISG12 CM2880 G109, ISG12 G CMOH6.0 G111, QSB3.9 30 CM550, QSB3.9 CM2880 B138, QSB4.5 30 CM550, QSB4.5 CM2150 B108, QSB4.5 CM2250 B131, QSB4.5 CM2250 EC, QSB4.5 CM2350 B106, QSB4.5 CM2350 B122			



ac900zc

[SMALL](#) | [MEDIUM](#) | [LARGE](#)

Cart	Ref No	Part Number	Part Description	Required	Remarks
View My Cart					
		AC9146-04	Air Cleaner		Mr - cleaner, air...(More)
					Engine Family: "B" Series
					Engine Cylinders: 6
					Aspiration: Raw Water
					Aftercooled mounting
					location: From engine
					centerline (mm): 49.0 from
					crank centerline (mm): 367.7
					from front face of block

					(mm): 989.0
					Air Inlet Diameter (mm):
					101.6 manufacturer: Walker
					duty rating: Light filter
					disposition: Reusable
					restriction indicator: Yes
					breather provision: Ccv.
<input type="checkbox"/>		3970337	Air Cleaner	1	
<input type="checkbox"/>	1	43765	Male Adapter Elbow	1	
<input type="checkbox"/>	2	125740	T-Bolt Clamp	2	4 1/2 in.
<input type="checkbox"/>	3	3043487	Hose Clamp	4	1 1/16 - 2"
<input type="checkbox"/>	4	3900626	Hexagon Flange Head Cap Screw	1	M6 x 1.00 x 12
<input type="checkbox"/>	5	3958414	O-Ring Seal	1	
<input type="checkbox"/>	6	3971079	Plain Hose	1	
<input type="checkbox"/>	7	3971081	Air Cleaner	1	
<input type="checkbox"/>	8	3973094	Vent Fitting	1	
<input type="checkbox"/>	9	3973095	Pressure Regulator Valve	1	
<input type="checkbox"/>	10	3973096	Molded Hose	2	
<input type="checkbox"/>		3973091	Air Cleaner	1	
<input type="checkbox"/>	11	3629438	Male Connector	1	
<input type="checkbox"/>	12	3971073	Check Valve	1	
<input type="checkbox"/>	13	3973092	Flexible Hose	1	
<input type="checkbox"/>	14	3973093	Oil Drain Connection	1	
<input type="checkbox"/>	15	3971068	Restriction Indicator	1	
<input type="checkbox"/>	16	3971069	Air Cleaner Element	1	
<input type="checkbox"/>	17	3971070	Coalescing Filter	1	Used to Service 3971081

<input type="checkbox"/>	18	3971075	O-Ring Seal	1	Used to Service 3971081
<input type="checkbox"/>	19	3971076	O-Ring Seal	1	Used to Service 3971081
<input type="checkbox"/>	20	3971077	Air Silencer	1	Used to Service 3971081
<input type="checkbox"/>	21	3971078	Air Cleaner Clamp	1	Used to Service 3971081

© 2019 Cummins Inc., Box 3005, Columbus, IN 47202-3005 U.S.A.
 Terms of Use and Disclaimers | Recommended System Requirements
 Need Assistance? Please click on the Contact Us button in the top right corner of any page.